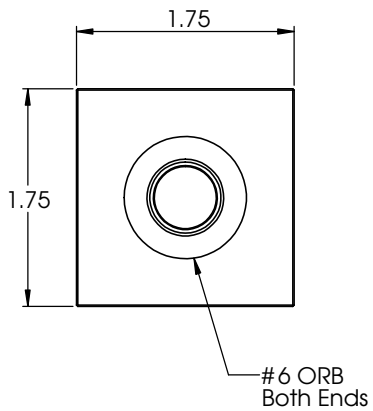
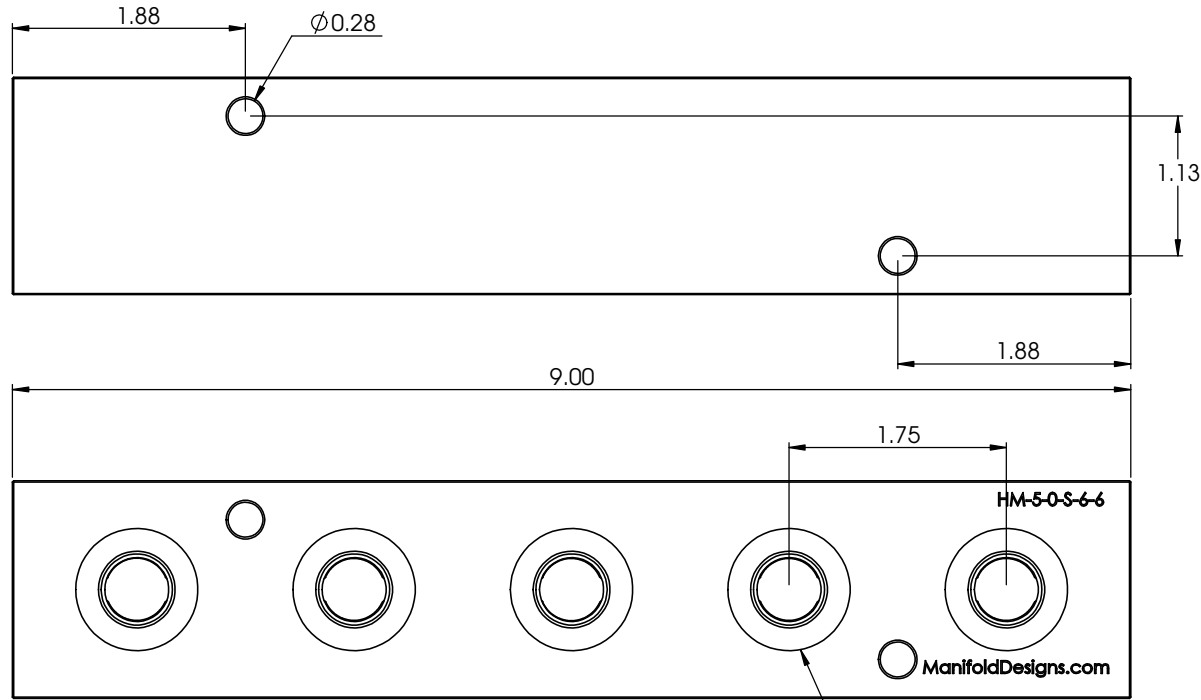


4

3

2

1



#6 ORB Typ Face



PROPRIETARY AND CONFIDENTIAL
 THE INFORMATION CONTAINED IN THIS DRAWING IS THE SOLE PROPERTY OF <INSERT COMPANY NAME HERE>. ANY REPRODUCTION IN PART OR AS A WHOLE WITHOUT THE WRITTEN PERMISSION OF <INSERT COMPANY NAME HERE> IS PROHIBITED.

		UNLESS OTHERWISE SPECIFIED:	NAME	DATE	TITLE: Header Manifold
		DIMENSIONS ARE IN INCHES	DRAWN		
		TOLERANCES:	CHECKED		
		FRACTIONAL: \pm	ENG APPR.		
		ANGULAR: MACH \pm BEND \pm	MFG APPR.		Q.A.
		TWO PLACE DECIMAL \pm	COMMENTS:		
		THREE PLACE DECIMAL \pm			SIZE DWG. NO. REV
		INTERPRET GEOMETRIC TOLERANCING PER:			B HM-5-0-S-6-6
		MATERIAL			SCALE: 1:1 WEIGHT: SHEET 1 OF 1
		6061			
		FINISH			
		Black Anodize			
NEXT ASSY	USED ON	APPLICATION			
		DO NOT SCALE DRAWING			

4

3

2

1