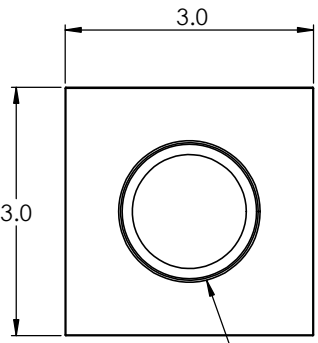
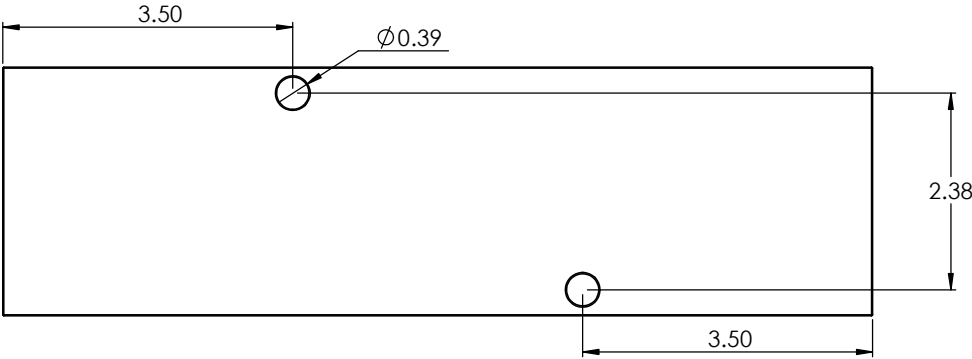


4

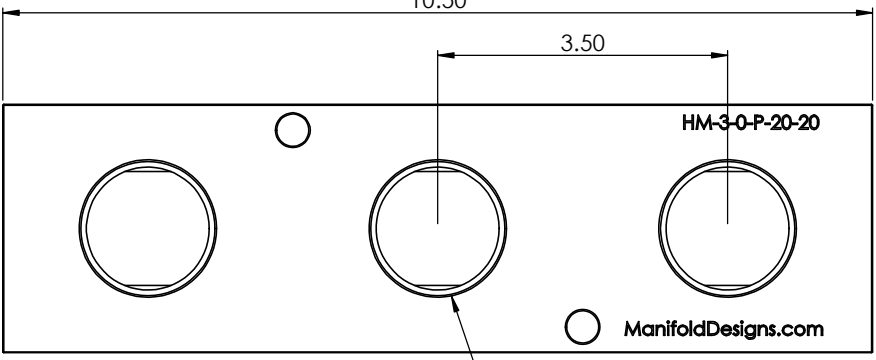
3

2

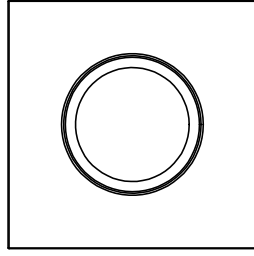
1



1-1/4 NPT Both Ends



1-1/4 NPT Typ Face



PROPRIETARY AND CONFIDENTIAL
 THE INFORMATION CONTAINED IN THIS DRAWING IS THE SOLE PROPERTY OF <INSERT COMPANY NAME HERE>. ANY REPRODUCTION IN PART OR AS A WHOLE WITHOUT THE WRITTEN PERMISSION OF <INSERT COMPANY NAME HERE> IS PROHIBITED.

		UNLESS OTHERWISE SPECIFIED:	NAME	DATE	TITLE: Header Manifold
		DIMENSIONS ARE IN INCHES	DRAWN		
		TOLERANCES:	CHECKED		
		FRACTIONAL: \pm	ENG APPR.		
		ANGULAR: MACH \pm BEND \pm	MFG APPR.		REV
		TWO PLACE DECIMAL \pm	Q.A.		
		THREE PLACE DECIMAL \pm	COMMENTS:		SIZE DWG. NO.
NEXT ASSY	USED ON	MATERIAL			B HM-3-0-P-20-20
		FINISH			SCALE: 1:1 WEIGHT:
APPLICATION		DO NOT SCALE DRAWING			SHEET 1 OF 1

4

3

2

1

B

B

A

A